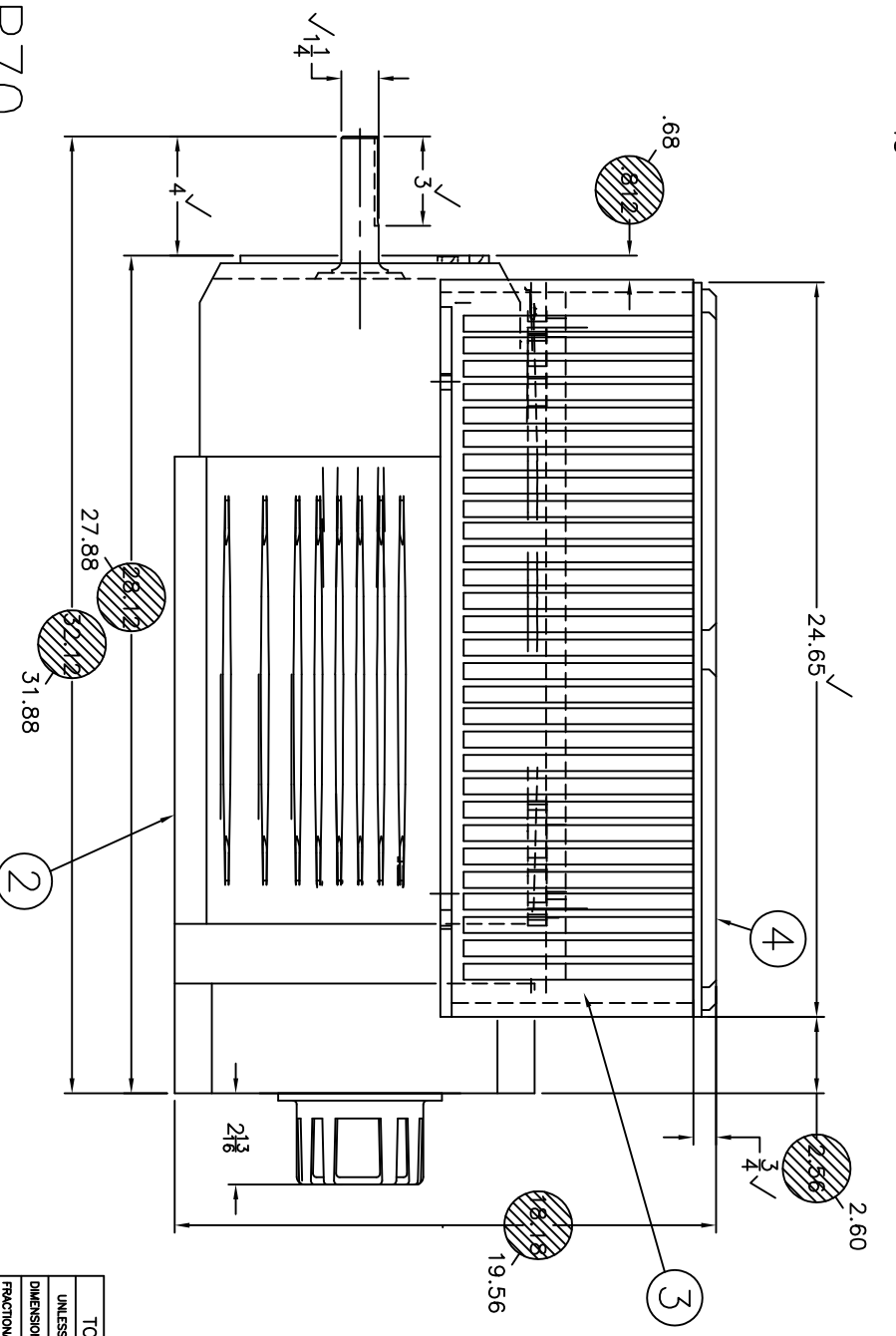
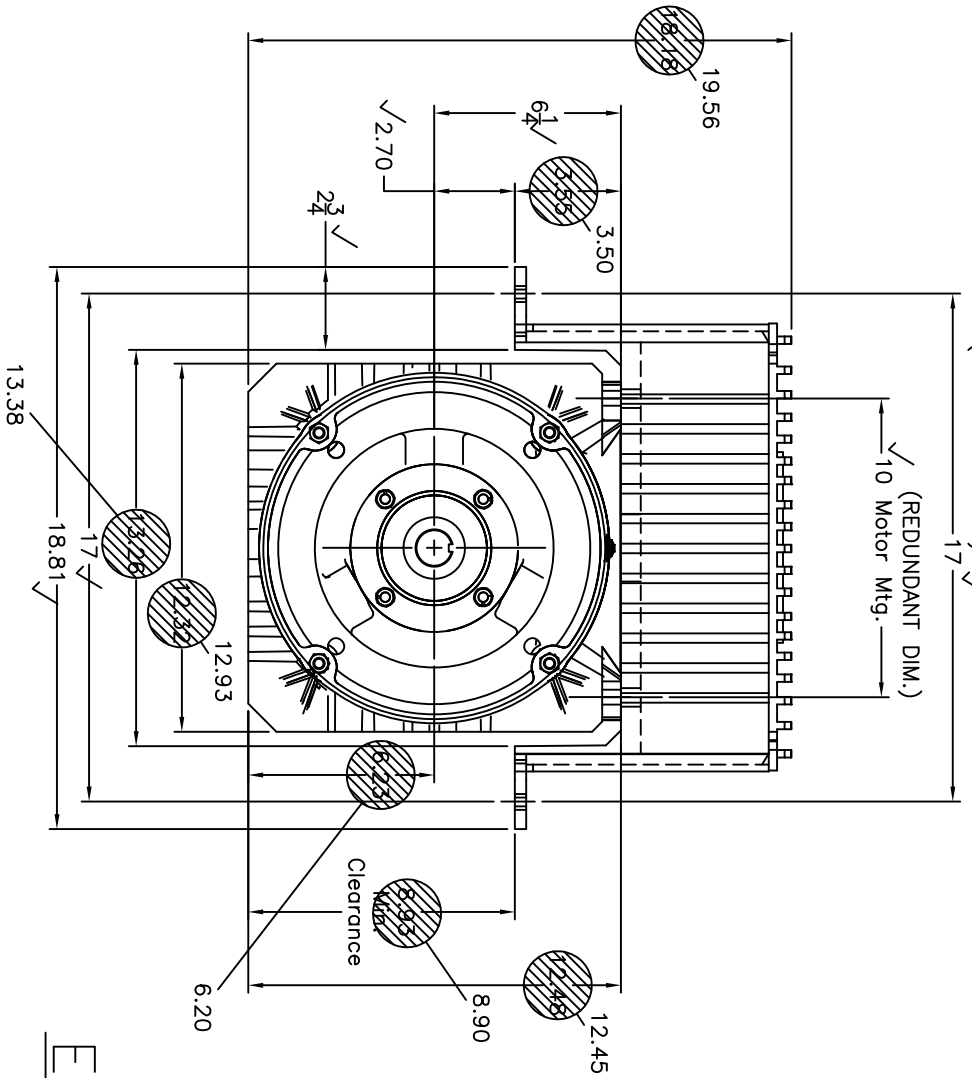
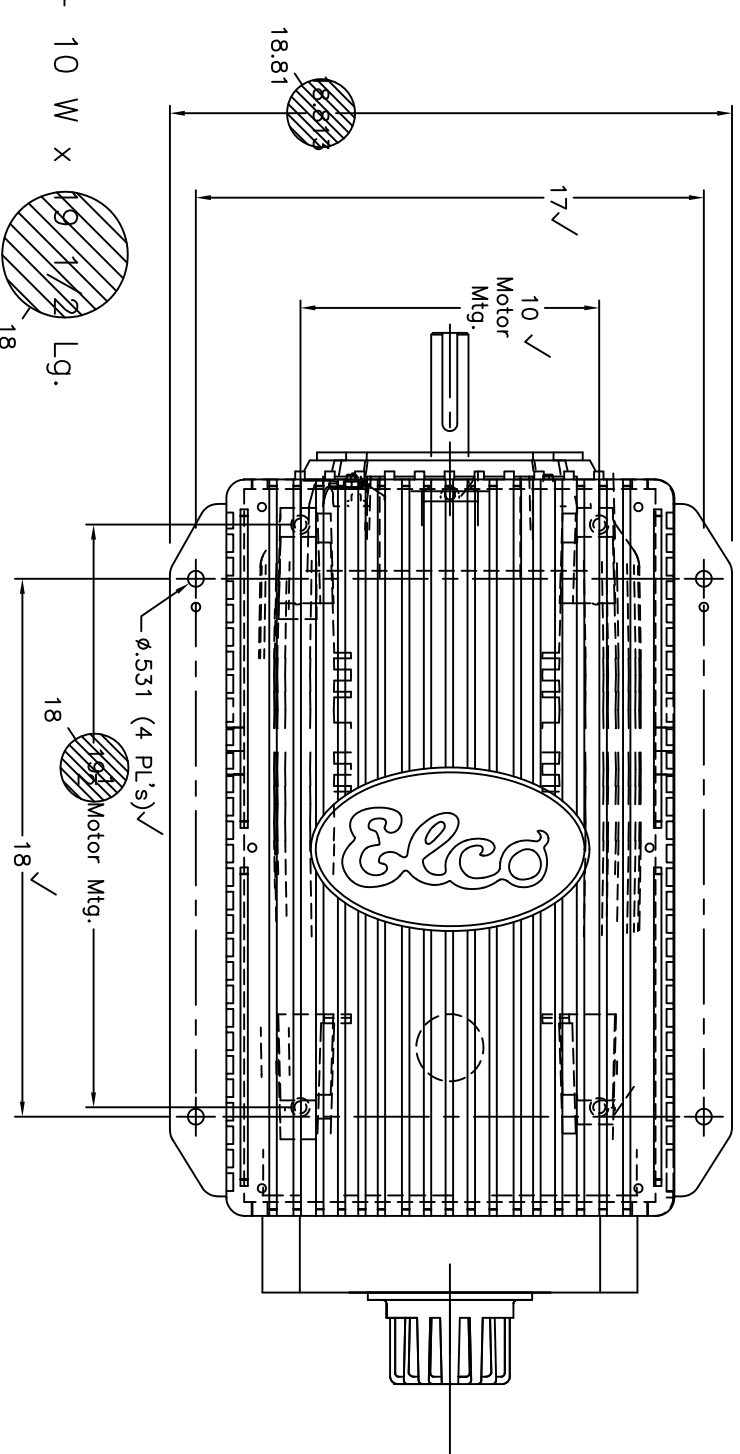


PART NO.	NAME	QTY.	DESCRIPTION OR DRAWING NUMBER
1	ELCO EP70	1	ASSEMBLY OF PARTS 2 Thru 4.
2	BALDOR Duty Master AC Motor	1	Baldor Frame #FL2578Z
3	ELCO Large Housing	1	ELCO #108077
4	ELCO Medium & Large Cover	1	ELCO #944494



Weight 650 Lbs.

**EP70**

REV	DESCRIPTION	BY	DATE

TOLERANCES		DRAWN BY		DATE	
UNLESS OTHERWISE NOTED		JAZZ	4/9/74		
DIMENSION	INCH	CHECKED BY		DATE	
FRACTIONAL	± 1/64	APPRO. BY		DATE	
DECIMAL	± 0.01	SCALE			
ANGULAR	± 0.06	NEXT ASYL.			
BREAK ALL SHARP EDGES	± 0.01	PROPRIETARY INFORMATION			
METRIC DIMENSIONING	± 0.13				

<b>Elco Motor Yachts</b>		TITLE
DRAWING NUMBER		EP70
<b>EP70</b>		ELCO BOAT
SH 1 of 1		REV